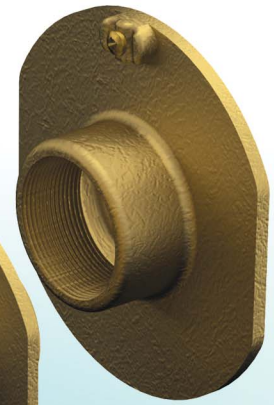
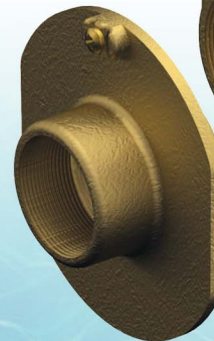




No-Leak Flanges

WS-15



WS-20

Cast from Premium Brass Alloy, No Leak Flanges are also known as Water Stops. These castings are mostly used where PVC pipe is going through a concrete wall or floor. They eliminate leaking, weeping and infiltration of the pool or ground water. No Leak Flanges easily attach to a variety of plumbing fittings including inlet fittings, hydrostatic relief valves, and fountain components. Typical installations are illustrated below.



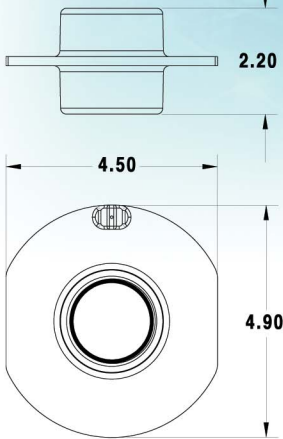
Fountain



HydroStatic Relief Valves

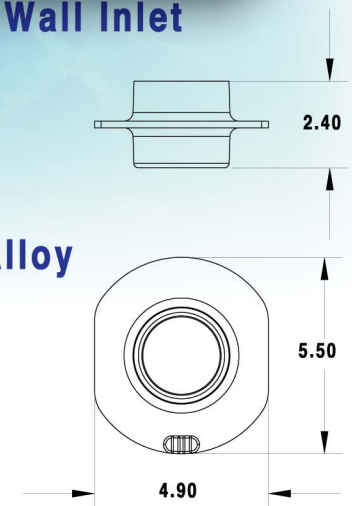


Wall Inlet



WS-15

- ▶ Accomodates 1-1/2" and 2" Plumbing
- ▶ Cast from corrosion resistant Brass Alloy
- ▶ Pipe Threads are precision machined
- ▶ Integrally molded bonding lug makes bonding a snap



WS-20

Available Through Distribution Nationwide