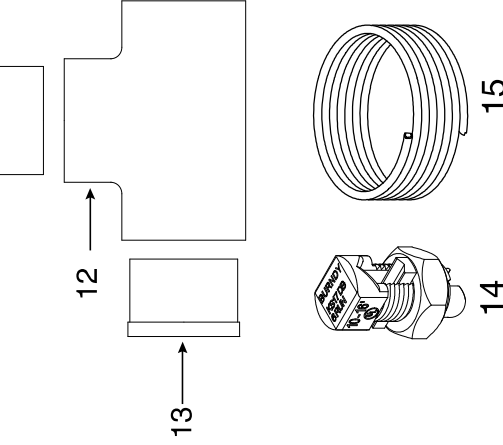
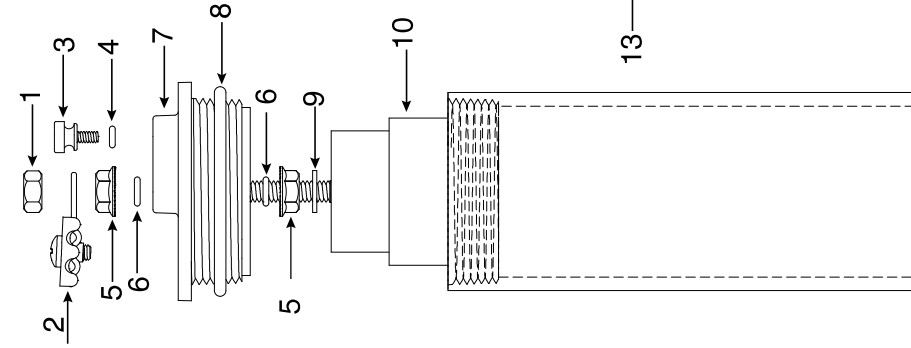
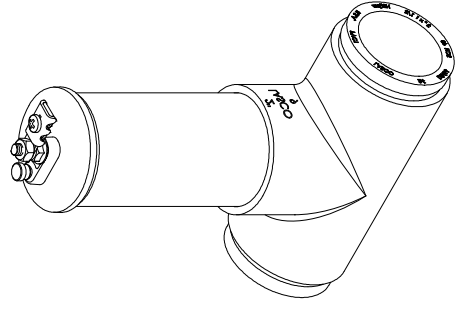




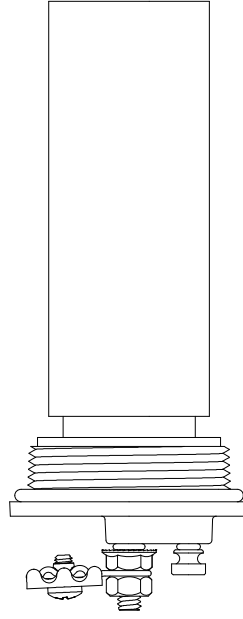
# In-Line Anode

Part No.  
TN-IL-20

| Parts List |                                       |
|------------|---------------------------------------|
| Part #     | QTY Description                       |
| 10         | 1 TN-200 Zinc Anode                   |
| 7          | 1 TN-200 Technode Cap                 |
| 11         | 1 Clear Anode Housing                 |
| 12         | 1 PVC Tee                             |
| 13         | 2 PVC Bushing                         |
| 1          | 1 1/4"-20 Stainless Steel Nut         |
| 5          | 2 1/4"-20 Stainless Steel Flanged Nut |
| 4          | 1 Small O-Ring                        |
| 6          | 2 Medium O-Ring                       |
| 8          | 1 Large O-Ring                        |
| 2          | 1 Anode Wire Lug Assembly             |
| 3          | 1 Vent Thumb Screw                    |
| 9          | 1 1/4" Stainless Steel Washer         |
| 14         | 1 Bonding Split Bolt                  |
| 15         | 1 Anode Connection Wire (Green)       |



Replacement for TN-IL-20  
Part No. TN-200



- Anode Connects Directly to Metal Filter or Heater Core
- 53 Square Inches Zinc Anode
- Clear PVC Housing for Easy Anode Inspection
- Simple Anode Inspection
- Weatherproof Installation Stick to Monitor Service



TN-IL-20S  
Spigot Model

Includes All Parts Minus PVC Tee and Bushings

Perma-Cast Co. Pueblo, CO  
www.permacastonline.com  
Call 800-748-2770