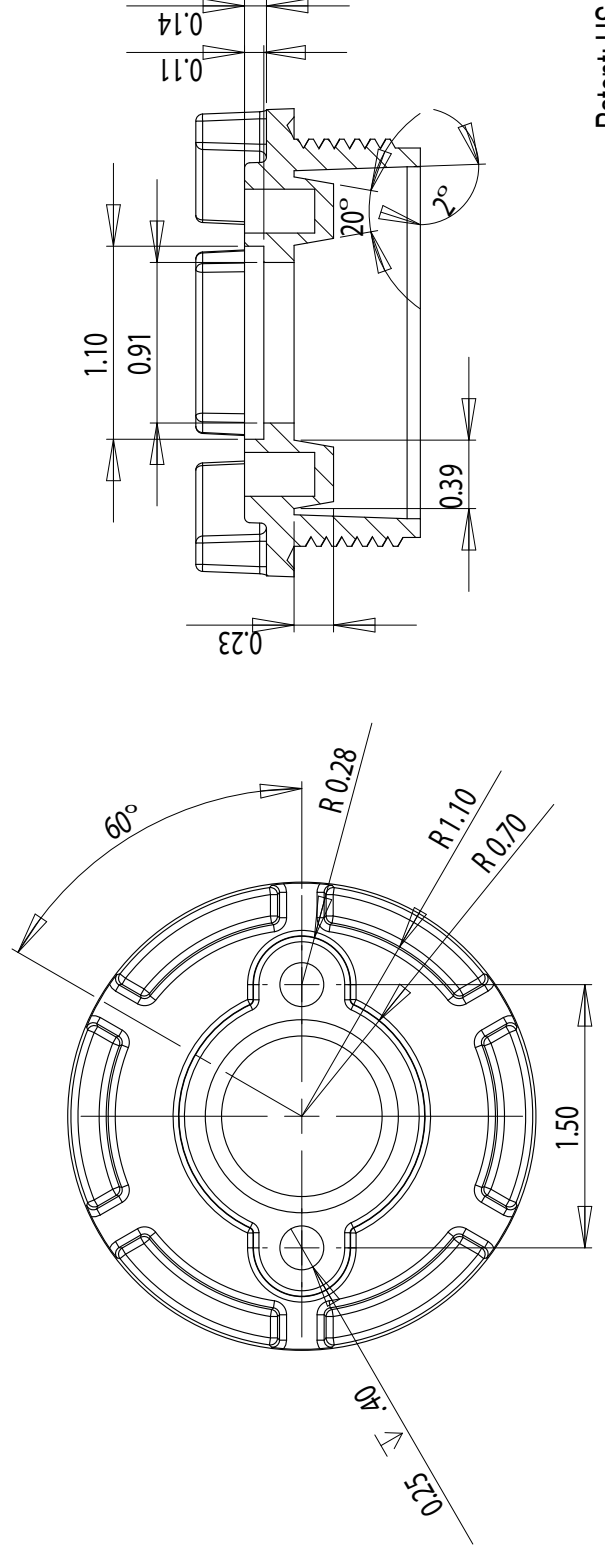
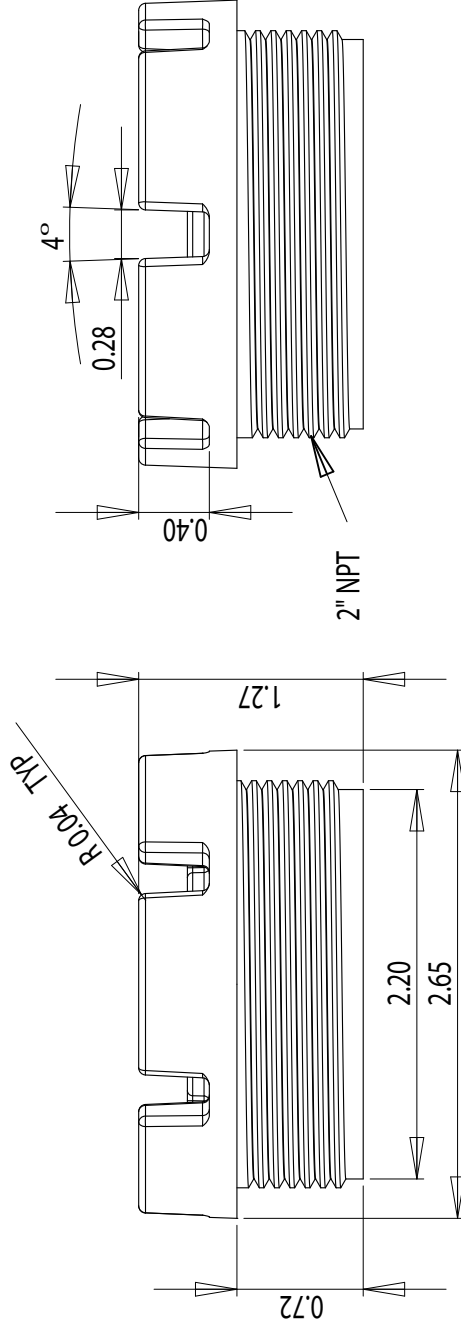
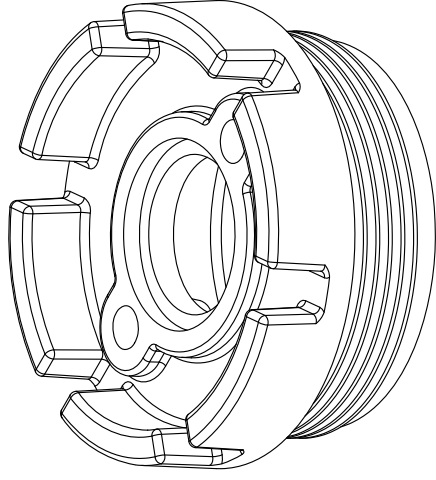




PoolBond Skimmer 2" Skimmer Plug

Part No.
PB-SK-20



Perma-Cast Co. Pueblo, CO
www.permacastonline.com
Call 800-748-2770

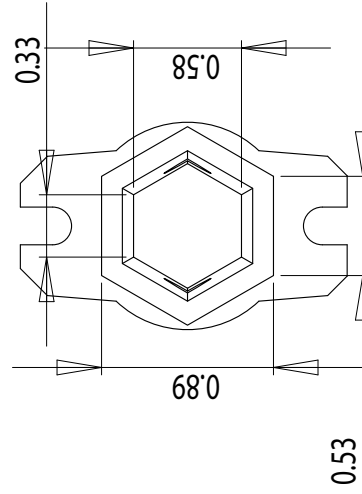
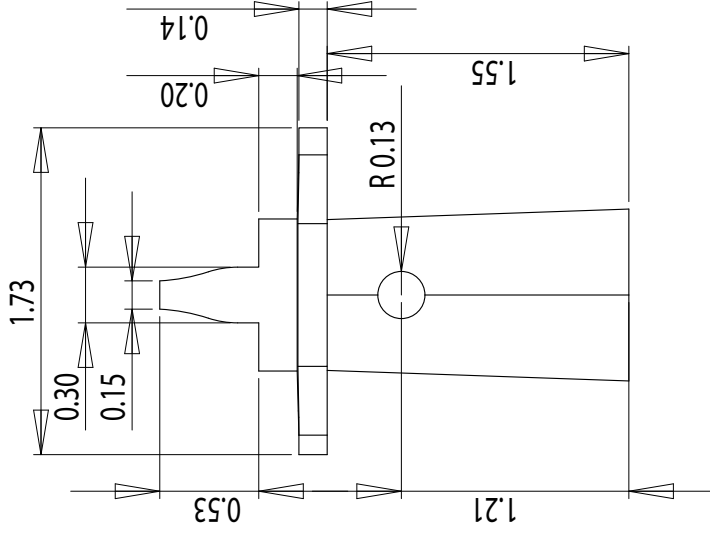
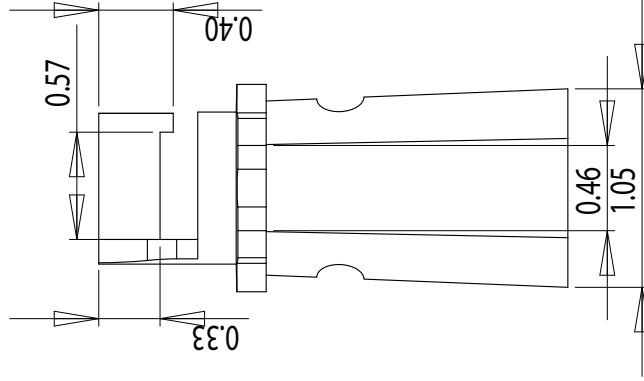
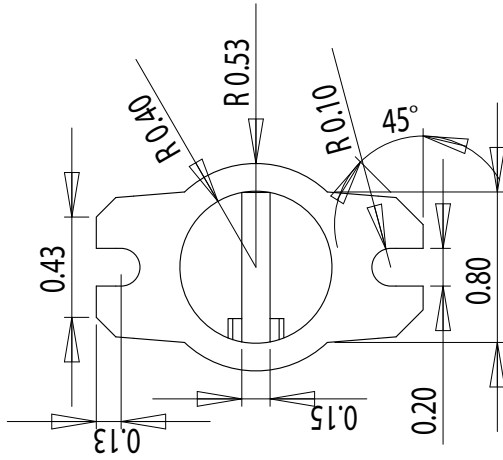
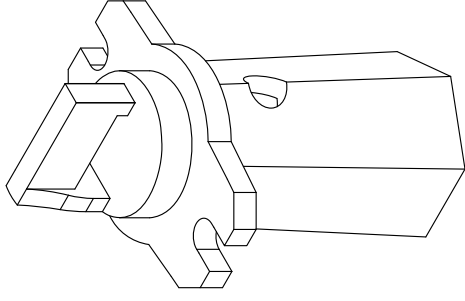
Patent: US 9,194,148 B1

REVISION 05/2015



PoolBond Skimmer Skimmer Fitting

Part No.
PB-SK2008



Perma-Cast Co. Pueblo, CO
www.permacastonline.com
Call 800-748-2770

Patent: US 9,194,148 B1

REVISION 05/2015